

COFFING® HOISTS

LHH

HAND CHAIN HOIST

1/2 TO 50 TON CAPACITIES

Coffing LHH Hand Chain Hoists feature stamped steel and are an excellent low cost option in the Coffing line. The compact, lightweight design is ideal for construction and contractor applications where portability and easy rigging are critical.

BENEFITS & FEATURES

CAPACITIES & LIFT

Rated loads from 1/2 to 20 tons in stock with standard lifts of 10, 15, and 20 feet. Standard hand chain drop is 2-feet less than lift. Other lifts, hand chain drops, and 25-50 ton models are available.

COMPACT & LIGHTWEIGHT

Designed for portability and easy installation, the compact gear housing provides low headroom applications.

EASY TO OPERATE

Lubricated bearings and bushings, bearing-mounted pinions, and heat-treated spur gearing ensure smooth and efficient operation with minimal effort.

SAFETY & LOAD CONTROL

Mechanical Load brake engages instantly for precise load holding and positioning. 360° swivel hooks with safety latches for positive load engagement.

DURABLE

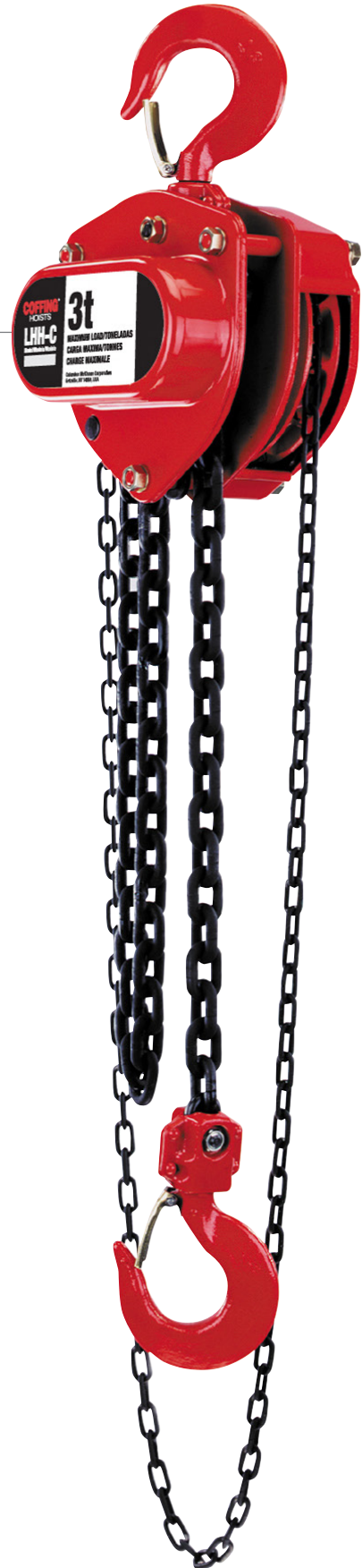
Through hardened load chain provides added strength and wear resistance for longer chain life. Stamped steel housing withstands rugged conditions.

EASY TO MAINTAIN

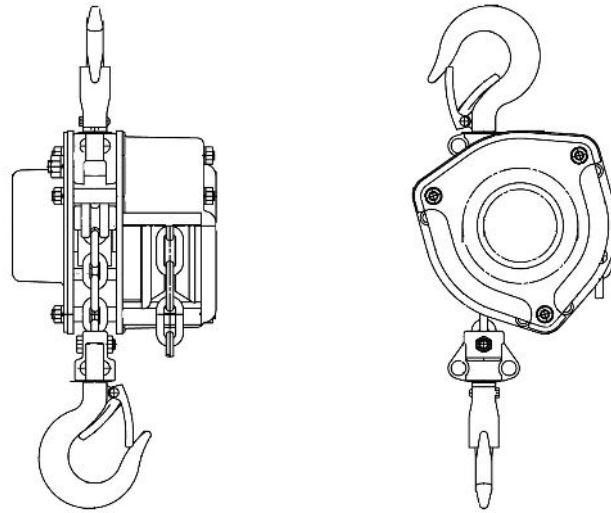
Designed for easy inspection and maintenance, the LHH can be dismantled easily with simple hand tools.

METRIC RATED

LIFETIME WARRANTY



LHH HAND CHAIN HOIST



Model		LHH-1/2C	LHH-1C	LHH-1½C	LHH-2C	LHH-3C	LHH-5C
Rated Load	lbs	1102	2204	3306	4408	6612	11020
	kg	500	1000	1500	2000	3000	5000
	tonnes	0.5	1	1.5	2	3	5
	ton	0.55	1.1	1.7	2.2	3.3	5.5
Weight (lbs)	lbs	18.5	24.5	34.6	45.8	67	77
Standard Lift (ft)	ft	10, 15, 20	10, 15, 20	10, 15, 20	10, 15, 20	10, 15, 20	10, 15, 20
Reeving		1	1	1	1	1	3
Pull on Hand Chain to Raise Load	N	206	235	275	329	373	353
	kgf	21	24	28	33.5	38	36
	lbf	46	53	62	74	84	79
Minimum Distance Between Hooks	in	10.2	11.8	13.6	15.0	17.1	22.6
	mm	260	300	345	380	435	575
Load Chain Size Wire Diameter	mm	5.0	6.3	7.1	7.9	10.0	7.1

Model		LHH-8C	LHH-10C	LHH-12C	LHH-15C	LHH-20C	LHH-25C	LHH-30C	LHH-40C	LHH-50C
Rated Load	lbs	17632	22040	26448	33060	44080	55100	66120	88160	110200
	kg	8000	10000	12000	15000	20000	25000	30000	40000	50000
	tonnes	8	10	12	15	20	25	30	40	50
	ton	8.8	11	13.2	16.5	22	27.5	33	44	55
Weight	lbs	160	160	331	331	538	705	950	1405	1834
Standard Lift	ft	10, 15, 20	10, 15, 20	10, 15, 20	10, 15, 20	10, 15, 20	10, 15, 20	10, 15, 20	10, 15, 20	10-15-20
Reeving		3	3	5	5	6	8	10	14	20
Pull on Hand Chain to Raise Load	N	337	422	346	461	441	431	461	451	461
	kgf	34.4	43	35.3	47	45	44	47	46	47
	lbf	75.8	95	78	104	99	97	104	101	104
Minimum Distance Between Hooks	in	31.1	31.1	40.9	40.9	42.5	43.3	57.9	66.9	71.7
	mm	790	790	1040	1040	1080	1100	1470	1700	1820
Load Chain Size Wire Diameter	mm	10	10	10	10	10	10	10	10	10